

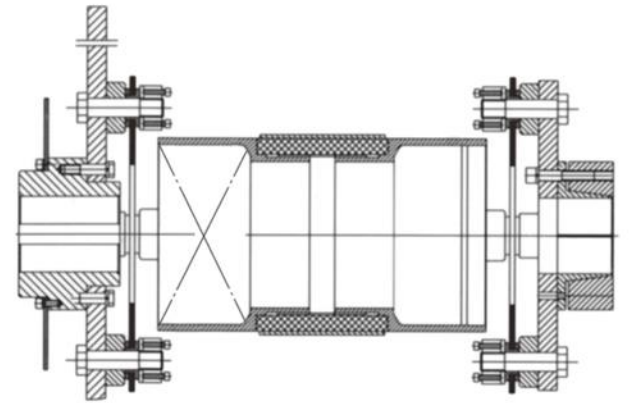


WIND TURBINE COUPLING

We are a manufacturing enterprise of couplings over 30 years in China, we focus on complex application solutions for customers



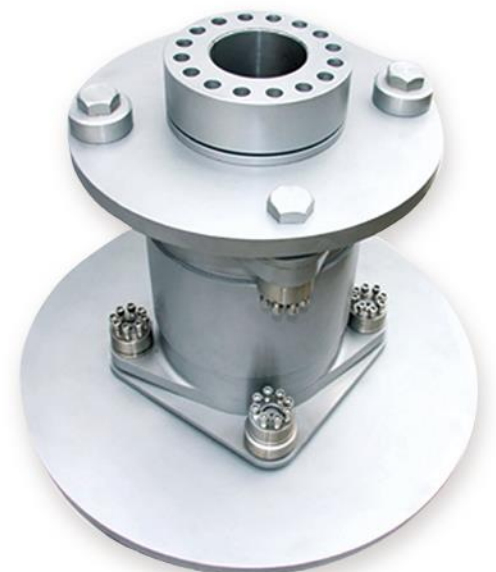
- ◆ JMF coupling is patented product.
- ◆ Applies to wind power generation, and has good insulativity.
- ◆ Angular misalignment $\leq 2^\circ$, axial misalignment $\leq \pm 6\text{mm}$.
- ◆ Large torque transmission, high intensity.
- ◆ Can be equipped with auxiliary such as break disc and counting plate.
- ◆ Key connection, spline connection and expansion sleeve connection are available with the shaft.
- ◆ Maintenance-free, easy to install, only replace the diaphragm assemblies needed.



JMF COUPLING

TYPE001,002,003,AND004

Modle	Rated torque Nm	Max torque Nm	Max speed rpm	Specifications of fan kw
001	5000	16000	1800	1000
002	7500	25000	1800	1500
003	15000	50000	1800	3000
004	30000	65000	1800	5000



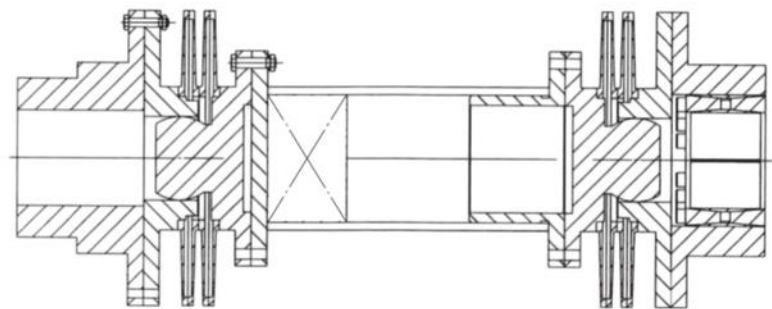


■ MP COUPLING ■

TYPE401,402,403,AND404




- ◆ MP coupling is patented product.
- ◆ Applies to wind power generation, and has good insulativity.
- ◆ Angular misalignment $\leq 3^\circ$, axial misalignment $\leq \pm 10\text{mm}$.
- ◆ Large torque transmission, high intensity.
- ◆ Equipped with safety protection devices.
- ◆ Can be equipped with auxiliary such as break disc and counting plate.
- ◆ Key connection, spline connection and expansion sleeve connection are available with the shaft.
- ◆ Maintenance-free, easy to install, only replace the diaphragm assemblies needed.



Modle	Rated torque Nm	Max torque Nm	Max speed rpm	Specifications of fan kw
401	5000	16000	1800	1000
402	7500	25000	1800	1500
403	15000	50000	1800	3000
404	30000	65000	1800	5000



 Tel/Fax: 86-24-2513-3976

 website: www.densencoupling.com

 email: contact@sydensen.com

